

C.I.P.

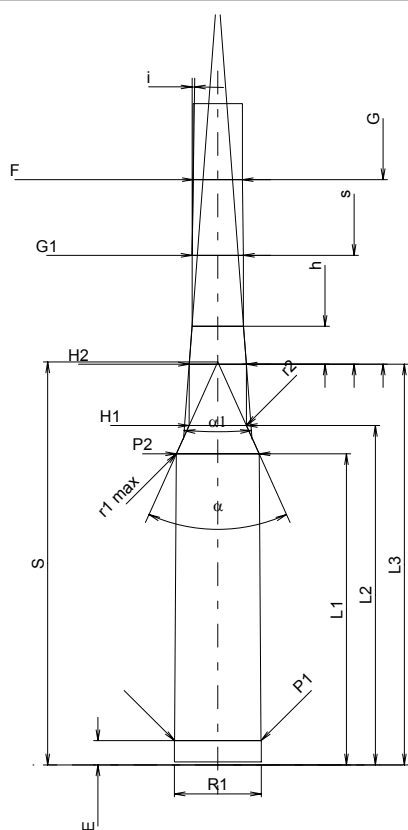
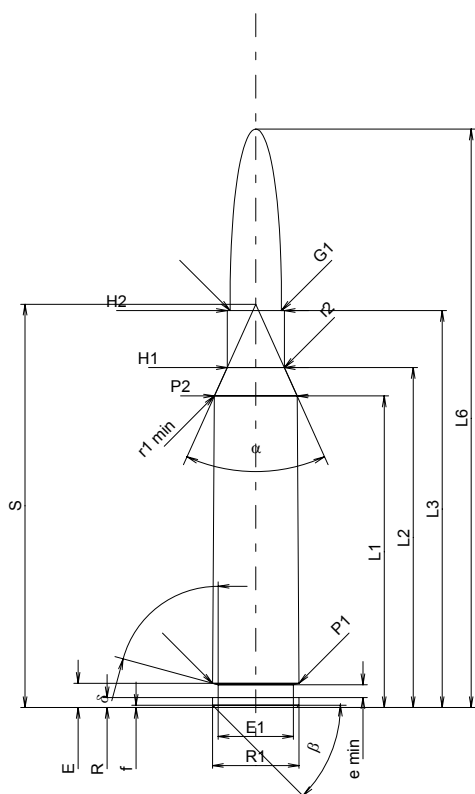
6,5 x 52 Carcano

Country of Origin: IT

TAB. I

Date 93-09-21

Revision 02-05-15



Scale 1:1

CARTRIDGE MAXI

Lengths

L1 ¹⁾	=	41.20	-0.20
L2 ¹⁾	=	44.96	-0.20
L3 ¹⁾	=	52.50	
L4	=		
L5	=		
L6	=	76.50	

Case Head

R	=	1.30	
R1	=	11.45	
R3	=		
E	=	3.20	
E1	=	9.95	
e min	=	1.70	
delta	=	74°40'48"	
f	=	0.30	
beta	=	45°	

Powder Chamber

P1	=	11.41	
P2 ¹⁾ *	=	10.94	-0.20

Junction Cone

alpha	=	48°31'59"	
S	=	53.33	
r1 min	=	3.00	
r2	=	2.25	

Collar

H1*	=	7.55	
H2 ¹⁾	=	7.55	

Projectile

G1 ¹⁾	=	6.80	
G2	=		
F	=		
L3+G ¹⁾	=	76.90	

Pressures (Energies)

Method Transducer

Pmax	=	2850 bar	
PK	=	3278 bar	
PE	=	3560 bar	
M	=	25.00	
EE	=	2465 Joule	

Miscellaneous Dimensions

Fe ¹⁾	=	0.15	
delta L	=		

CHAMBER MINI

Lengths

L1*	=	41.15	
L2*	=	44.89	
L3 ¹⁾	=	53.00	

Breech

R	=		
R1	=	11.50	
R2	=		
R3	=		
r	=		

Powder Chamber

E	=	3.20	
P1 ¹⁾	=	11.46	
P2*	=	10.95	

Junction Cone

alpha ¹⁾	=	48°31'58"	
S	=	53.29	
r1 max	=	3.00	
r2	=	2.25	

Collar

H1*	=	7.57	
H2 ¹⁾	=	7.55	

Commencement of Rifling

G1 ¹⁾ *	=	6.80	
G ¹⁾ *	=	24.40	
alpha1	=	8°34'41"	
h	=	5.00	
s*	=	14.40	
i ¹⁾	=	2°51'45"	
w	=		

Barrel

F ¹⁾ *	=	6.50	
Z ¹⁾	=	6.80	

Grooves

b	=	3.00	
N	=	4	
u	=	201.50	
Q	=	35.05	mm ²

Dimensions in << mm >>
Dimensions and Tolerances for Proof Barrels
see Appendix CR 1.

Notes: 1) Check for safety reasons
* Basic dimensions